

CHALLENGAIR

2000PV 2000EV



INSTRUCTION MANUAL

**PLEASE READ ALL INSTRUCTIONS AND SAFETY PRECAUTIONS BEFORE OPERATING PRODUCT!
SAVE FOR FUTURE REFERENCE, WARRANTY PERTINENT CONTENT.**

Product Specifications:

Model: 2000PV / 2000EV

Voltage: 115v	Voltage: 230v
Amperage: 9.11	Amperage: 4.56
Horse Power: 3	Horse Power: 3
Wattage: 1048	Wattage: 1048
Hertz: 60	Hertz: 50/60
Motor Air Volume: 124 CFM	Motor Air Volume: 124 CFM

IMPORTANT SAFEGUARDS

WARNING: IMPORTANT SAFETY PRECAUTIONS! PLEASE READ COMPLETELY BEFORE USING PRODUCT!

Do not use vacuum on water or liquids. When using electrical appliances, especially when children or animals are present, basic safety precautions should always be followed to reduce the risk of fire, electric shock, and personal injury, including but not limited to the following:

DO NOT TURN ON DRYER/VAC WITHOUT FIRST HOLDING THE HOSE, as the air volume from the dryer/vac can cause the hose to whip or move rapidly and may cause injury.

1. Do not leave dryer/vac or animal unattended while product is in use. Check animal regularly during drying.
2. Unplug unit when not in use.
3. Do not use extension cords with dryer/vac.
4. Do not unplug unit by pulling on cord.
5. Do not expose dryer/vac to rain or water.
6. Do not use or store dryer/vac where it can fall or be pulled into tub or sink or standing water. If dryer/vac falls into water . . . UNPLUG IT . . . Do not reach into the water!
7. Unplug unit before attempting any maintenance or service.
8. Do not put any object into dryer/vac openings.
9. Keep loose clothing, jewelry and hair away from dryer/vac openings.
10. Do not direct dryer/vac air towards eyes or ears of people or pets.
11. Never use dryer/vac if it has a damaged cord or plug, has been dropped, damaged or exposed to rain or water. Return to **Double K Industries** or an Authorized Service Center for service.
12. When using the cage attachment, do not leave the animal unattended. (2000PV model only)
13. This product is for use on animals only.
14. Recommended operation by adults only. Use caution when working around children.
15. Do not use attachments not recommended by **Double K Industries**.
16. Do not operate without filters in place. Keep filters clean, as dirty filters limit air intake and may damage the motor or cause overheating.
17. Plug only into a properly grounded receptacle. Always make sure the amperage of the electrical outlet is sufficient for the amperage rating of the product. (See Product Specifications for amperage rating of this product).
18. Do not use product for anything other than its intended purpose.
19. Do not attempt to perform any service or maintenance not outlined in this instruction manual. Contact **Double K Industries** or an authorized service center if additional service is needed.
20. Do not attempt any product modifications or alterations. Do not use, if any parts or switches are damaged - send to an Authorized Service Center or **Double K Industries** for service.
21. When servicing, use only **Double K** parts.

9711 Mason Avenue Chatsworth, CA 91311
(818) 772-2887 (800) 821-9449 Fax: (818) 886-0218
www.DoubleKIndustries.com info@DoubleKIndustries.com

Congratulations!

You've just purchased the **Double K CHALLENGAIR 2000PV / 2000EV**. Both offer great versatility to make your animal grooming tasks easier. Your new dryer/vac is designed to provide long, reliable service.

Please read this manual carefully and completely before beginning operation of your dryer/vac and keep this manual in a convenient and safe place for future reference.

A warranty card is included with your dryer/vac and should be filled out completely and mailed to Double K Industries within 30 days of the purchase date of your dryer/vac to validate your warranty. Online registration is available at www.DoubleKIndustries.com

Your **CHALLENGAIR 2000PV / 2000EV** has a two year limited warranty covering the unit against defects in materials and workmanship. Regular maintenance items such as brushes and filters are not included (see warranty card for complete warranty information). It is also important to retain your sales receipt as proof of purchase should service ever be needed.

Your **CHALLENGAIR 2000PV / 2000EV** has one brush-type motor. It is important that the brushes be changed when they become worn down to prevent damage to your dryer/vac motor (brushes are maintenance components and are not covered under the warranty). We suggest checking the motor brushes after every 600 hours of dryer/vac use. Please see section on BRUSHES in this manual for instructions.

A NOTE ABOUT HEAT: Your **CHALLENGAIR 2000PV / 2000EV** has no heating element. It produces heat by a "flow-thru" motor system, meaning the air is pushed through the motor and is warmed by the natural heat of the motor that occurs during operation. This means greater electrical savings and efficiency for you. The dryer/vac will reach its maximum air temperature after about 2-4 minutes of operation. (Note: The higher the room temperature, the warmer the air from the dryer/vac will be.)

ASSEMBLY

To attach hose for drying: Insert the black hose to dryer/vac locking adapter on the end of the hose firmly into the air outlet snout. Twist the locking adapter until it locks to secure. Gently pull the adapter to confirm it is secured properly.

To attach hose for vacuuming: Insert the black hose to dryer/vac locking adapter on the end of the hose firmly into the air inlet in back of the unit. Twist the locking adapter until it locks to secure. Gently pull the adapter to confirm it is secured properly. Shoulder strap is available only on the 2000EV.

To attach nozzles to hose, twist the nozzles "counter-clockwise". Twist clockwise to remove. See page 8 for full attachment list.

OPERATION - Switches and Controls:

- a. **On** - Press the motor switch to the left. (I Position)
- b. **Off** - Press the motor switch to the right. (0 Position)

REQUIRED MAINTENANCE

(PROCEDURES BELOW MUST BE PERFORMED REGULARLY OR AS NEEDED TO PROTECT DRYER / VAC WARRANTY STATUS.)

FILTER & VACUUM BAG

FILTER CLEANING: The Internal filter of the **CHALLENGAIR 2000PV / 2000EV** should be kept clean. If the filters become heavily coated with hair and/or dirt, it will reduce both the dryer/vac air output and the vacuum suction; it may also cause damage to the motor or cause the motor to overheat.

***Never operate the dryer/vac without all filters in place.**

To clean the internal motor filter:

1) Unplug unit. 2) Slide off the back cover of the dryer/vac slowly. It is a compression fit with side tabs and will come off with a little effort. 3) On vacuum unit - remove the vacuum bag. 4) Remove the filter from the internal filter housing. 5) Clean motor filter disk by vacuuming off hair and dirt, or wash filter gently in cool water. Shake off excess water and allow to air dry completely. (Replace filter if necessary) 6) Reassemble the two piece filter frame and replace it onto the motor assembly housing by pushing it into place. 7) Replace dryer/vac back cover.

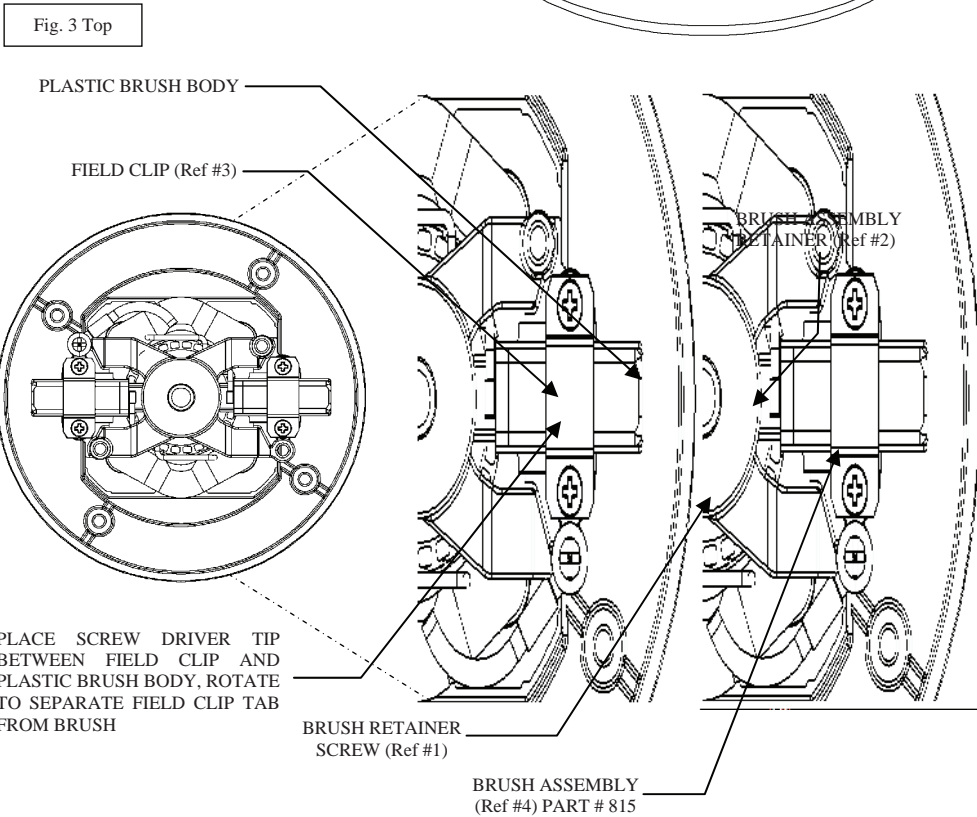
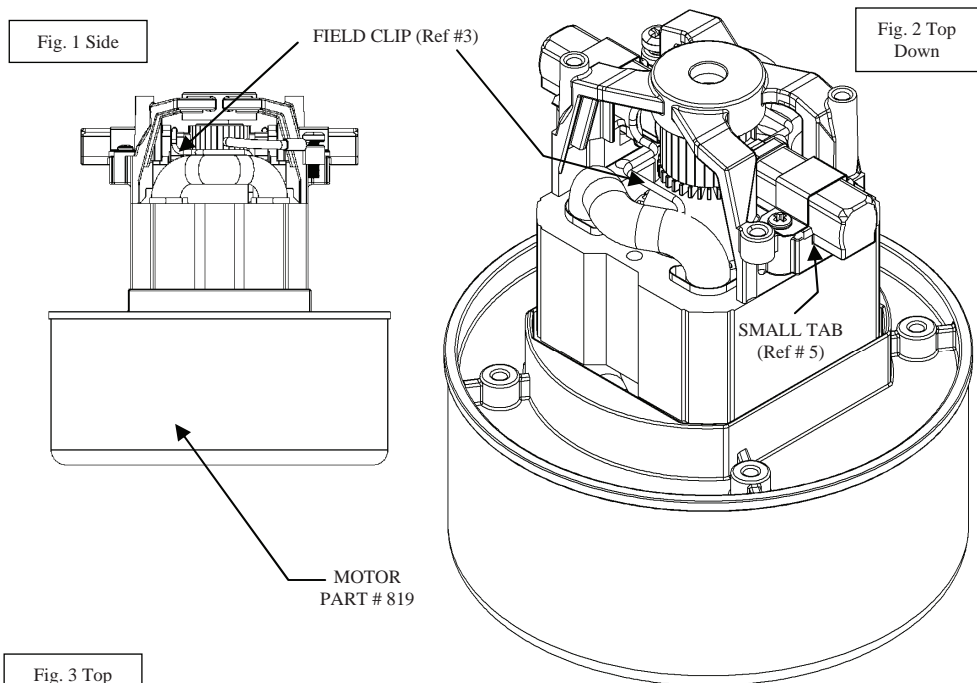
To clean vacuum bag:

1) Remove back cover from the vacuum. Important: Vacuum bag is attached to the back cover. Use caution if vacuum bag is full. 2) Remove old vacuum bag and dispose. 3) Install new bag and replace vacuum back cover. To order replacement vacuum bags, part #2190 (pkg of 5 bags) contact Double K.

Any maintenance not explained in this manual should be performed by **Double K Industries** or an Authorized Service Center. Call **Double K Industries** for the name of an Authorized Service Center nearest you. All warranty service must be performed by an Authorized Service Center (or Double K Industries) to protect your warranty status.

Attachment List

Attachment	P/N	Description	Qty.
	2005-6 (PV Only) 2005-8 (EV Only)	1 ¼" Hose Black on Blue (for Blue Model)	1
	2002 (PV Only)	1 ¼" Hi-Velocity Nozzle	1
	2004 (PV Only)	¼" Regular Nozzle	1
	2037 (PV Only)	¼" Cage Attachment	1
	2003	1 ¼" Air Sweep Nozzle	1
	2070	Super Hi-Velocity Nozzle	1
	2190-1	Vacuum Bag	1
	2074	12" Claw Nozzle	1
	2075	10" Crevice Tool	1
	2076	1 ¼" - 1 ½" Vac. Tool Adapter	1
	2059 (EV Only)	Brush, Curry Pin Vacuum	1
	2055 (EV Only)	1 ¼" Black Swivel Nozzle	1
	2093 (EV Only)	Should Strap	1
	2031	1 1/4" Hose to dryer/vac Locking	1



BRUSHES: Your *CHALLENGAIR 2000PV / 2000EV* has one brush-type motor. The brushes should be checked for wear after approximately 600 hours of use. If the carbon brushes are worn shorter than 1/4 inch, the brushes should be replaced. Brushes may be ordered from **Double K Industries** or an Authorized Service Center. Please be sure to specify that your dryer/vac is a *2000PV / 2000EV*, as the brushes are slightly different from one model to another.

To check and/or replace brushes:

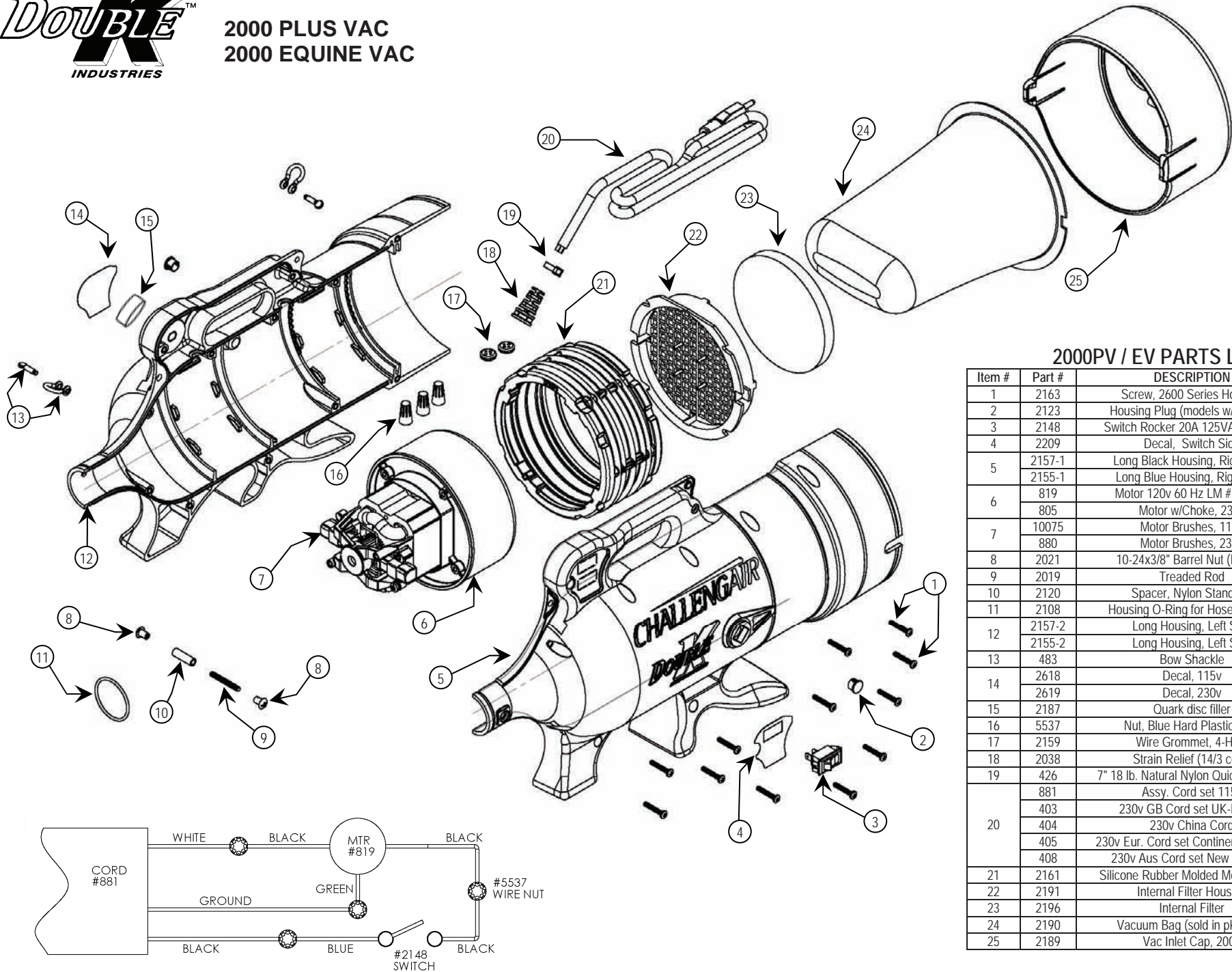
1. Unplug electrical cord from wall outlet.

Disassembly:

2. Slide off the back cover from the dryer/vac. It is a compression fit with side tabs and will come off with a little effort.
3. Remove all screws on the outside of the dryer/vac that hold the two halves of dryer/vac housing in place. It is best to lay the dryer/vac on its side while removing these screws.
4. The motor will be sitting in place inside the rubber silicone motor mount. Removing the rubber silicone motor mount from the motor is not necessary to replace brushes.
5. You may want to remove the internal filter assembly before you remove the motor. While it is not necessary to do so it may make it easier to remove the motor from the dryer.
6. Disconnect the motor power wires.
7. Motor:
 - a. Loosen the two brush assembly retainer screws (Fig. 3, Ref #1) to loosen the brush assembly retainer (Fig. 3, Ref #2). Remove the field clip (Fig. 3, Ref #3) and then remove the old brush assembly (Fig. 3, Ref #4) and replace it with a new one. Insert field clip tabs into new brushes. (Note: IMPORTANT - the brush casing has a small tab on the bottom that **MUST** be fitted into the slot on the motor frame for proper positioning) (Fig. 2, Ref #5)
 - b. After the new brush assembly is seated, tighten the brush assembly retainer screws.
 - c. Repeat steps A-B for the brush on other side of motor.

Reassembly:

8. Inspect the motor mount for cracks or damage -- replace if necessary. Set the motor back into its original position in the dryer/vac housing. The motor mount has slots that fit over corresponding alignment tabs on the inside of the dryer/vac housing. These slots and tabs must match up for proper fit and function. (Note: In the event that the motor mount is removed from the motor, simply replace it being mindful to align the contours of the motor mount with corresponding contours on the motor housing.)
9. If the internal filter assembly was removed while removing the motor make sure it is replaced before reassembling the dryer. The top side of the filter assembly is flat and should be positioned towards the top of the dryer. This filter assembly is placed directly behind the motor and will fit into a slot in the dryer housing. There are four standoffs that should be facing the back of the motor with the filter material on the opposite side (reference parts diagram for further detail).
10. Reattach the screws around the outside of the dryer/vac making sure the two halves are matching up.
11. After the two halves of the dryer/vac housing have been put together, replace motor filter on the back of the motor and push the burgundy back cover back onto the rear of the dryer/vac.



2000PV / EV PARTS LIST

Item #	Part #	DESCRIPTION	Qty.
1	2163	Screw, 2600 Series Housing	12
2	2123	Housing Plug (models w/o stand)	2
3	2148	Switch Rocker 20A 125VAC 2-POS	1
4	2209	Decal, Switch Side	1
5	2157-1	Long Black Housing, Right Side	1
	2155-1	Long Blue Housing, Right Side	
6	819	Motor 120v 60 Hz LM #115923	1
	805	Motor w/Choke, 230v	
7	10075	Motor Brushes, 115v	2
	880	Motor Brushes, 230v	
8	2021	10-24x3/8" Barrel Nut (Binding)	2
9	2019	Treaded Rod	1
10	2120	Spacer, Nylon Stand Off	1
11	2108	Housing O-Ring for Hose Adapter	1
12	2157-2	Long Housing, Left Side	1
	2155-2	Long Housing, Left Side	
13	483	Bow Shackle	2
	2618	Decal, 115v	
14	2619	Decal, 230v	1
	2187	Quark disc filler	
15	2187	Quark disc filler	1
16	5537	Nut, Blue Hard Plastic Wire	4
17	2159	Wire Grommet, 4-Hole	2
18	2038	Strain Relief (14/3 cord)	1
19	426	7" 18 lb. Natural Nylon Quick Tie wrap	1
20	881	Assy. Cord set 115v	1
	403	230v GB Cord set UK-Ireland	
	404	230v China Cord	
	405	230v Eur. Cord set Continental Europe	
	408	230v Aus Cord set New Zealand	
21	2161	Silicone Rubber Molded Motor Mount	1
22	2191	Internal Filter Housing	1
23	2196	Internal Filter	1
24	2190	Vacuum Bag (sold in pkg of 5)	1
25	2189	Vac Inlet Cap, 2000	1