

## Specifications

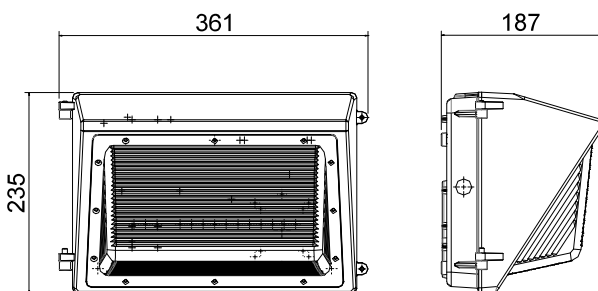
Model#	R-04060-STD
Description	60W LED Wall Pack Light
Power	60W
Voltage Input	100-277Vac,60HZ
Lumen output	7200lm
Color Temperature	2700K,4000K,5000K,5700K
CRI	Ra>70
IK Rating	IK07
Power Factor	0.95
Lens	Temper Glass
Operating Temp.	-25 °C ~ 50 °C
IP Rating	IP65
Certificates	ETL/cETL , DLC
Warranty	5 years
L70 life span	>50000Hrs
Housing Material	Aluminum
Beam Angle	45 / 100Degree
Dimmable	No
Weight	3 Kg (6.6 pound)
Installation	Surface mounting with J-BOX
Packaging Dimension	15.7"L x 13"W x 9.4"H (400mmx330mmx240mm)



## Order Information

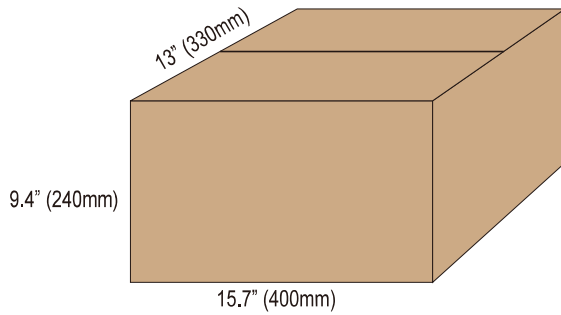
Item Number	Description	Power	Voltage Input	Dimmable	CCT	Lumen Output	Certificates
R-04060-STD	60W LED Wall Pack Light	60W	100-277Vac	No	2700K,4000K 5000K,5700K	7200lm	ETL/cETL,DLC

## Product Size (Unit:mm)

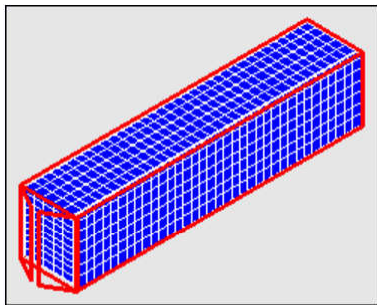


## Packaging

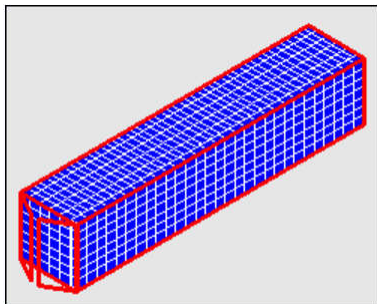
1pcs/CTN G.W.:9.4 kgs Dimension: 15.7"L x 13"W x 9.4"H (400mmx330mmx240mm)



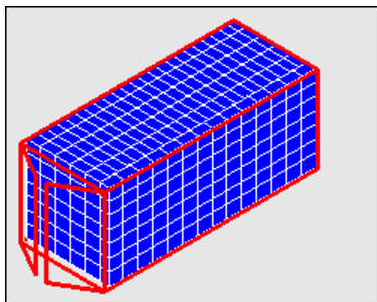
## Container Loading QTY



Size	Corton QTY	Product QTY	Volumn	G.W.
40'hq	1960ctn	1960 pcs	68.31m <sup>3</sup>	7644kgs



Size	Corton QTY	Product QTY	Volumn	G.W.
40'gp	1883 ctn	1883 pcs	65.62 m <sup>3</sup>	7343.7kgs



Size	Corton QTY	Product QTY	Volumn	G.W.
20'gp	903 ctn	903 pcs	31.47m <sup>3</sup>	3521.7kgs